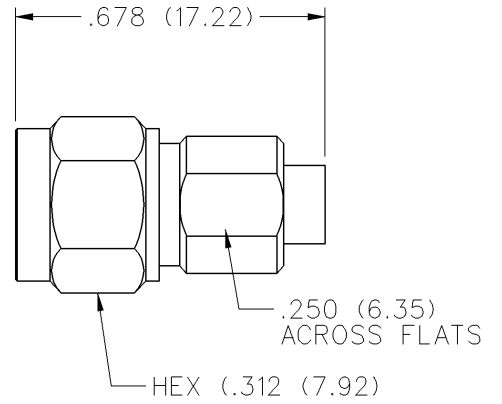


Between Series Adapter SMA Plug to MMCX Jack



| VSWR & FREQUENCY RANGE | GOLD PLATED |
|---------------------------|--------------|
| 1.05 + .05f (GHz) 0-6 GHz | 134-1019-151 |